

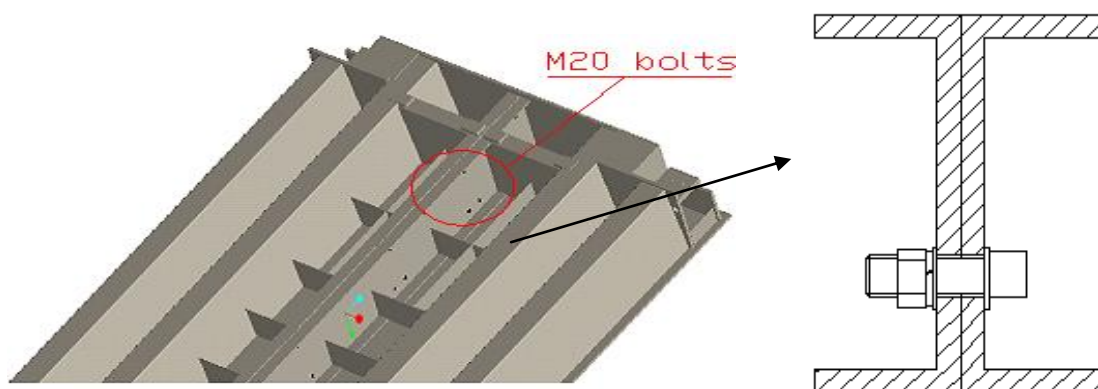
Simple installation steps

1. Check all goods against list, pay attention to the steel-seal letter A1、 A2、 A3、 A4、 A5、 A6、 A7、 A8、 A9、 A10、 A11、 A12 on the surface of the scale-bodies, load cells, tools wooden cases and indicator (See the following figure).Be ready to install

A2	A4	A6	A8	A10	A12
A1	A3	A5	A7	A9	A11

2. Scale-body assembling:

Lift the scale-bodies of corresponding marking with the 28mm shackle and assemble with a crane (usually 15t), overturn and lie them flat(pad wood under the scale bodies to prevent the paint scaling off), attention to the marking.the marking of A1、 A3 with the marking of A2、 A4 of the scale-body, the marking of A5、 A7 with the marking of A6、 A8 of the scale-body , the marking of A9、 A11 with the marking of A10、 A12 of the scale-body, then tighten the scale-bodies with 96 sets of M20X60 socket head cap bolts with M30 adjustable spanner,M20 socket head cap spanner and $\phi 30 \times 500$ mm lever. Each pair of bolts including 2 washer, 1 spring washer and 1 thickening nut. See the following figure:



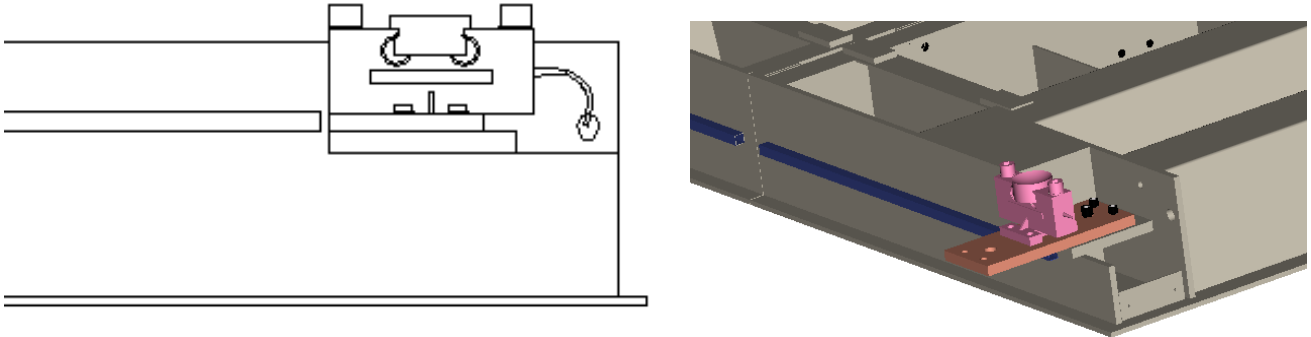
3. Installing load cell

Tighten the M16X45 bolts with the lever. Each pair of bolts is including 1 washer and 1 spring washer.

(**Note:** The marking on the load cell and scale-body should be consistent.)

- Note:**
- Install the load cell directly on the back of the markings A1、 A2、 A11、 A12 of the scale-bodies.
 - Install the load cell on **connecting-plate of the scale-bodies** markings A3、 A4、 A7、 A8 of the scale-bodies.

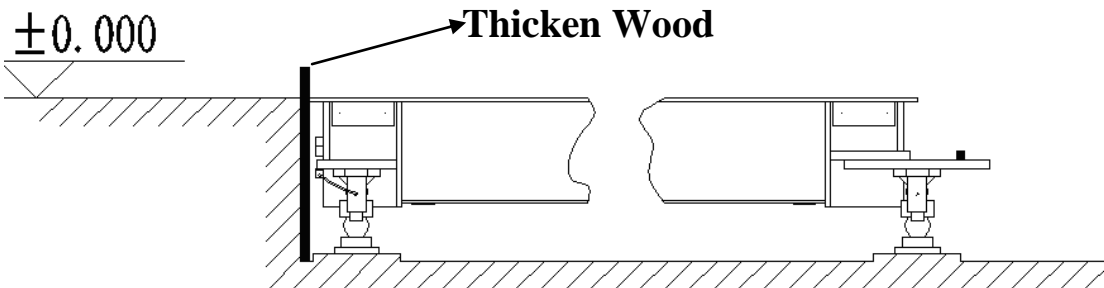
Installation drawing of load cell:



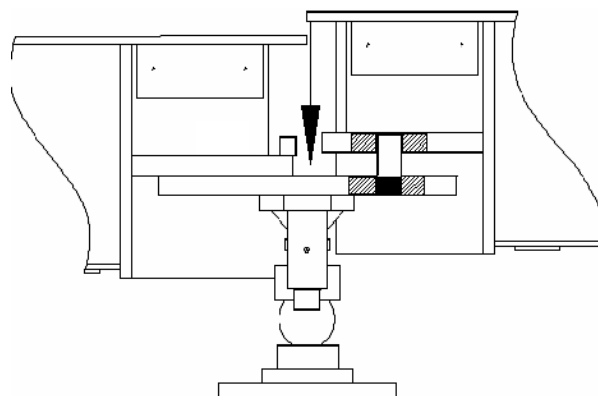
4. Place the scale-body into the completed pit

4.1 Fix up one end of the four steel cable in the same length into the installation hole on the scale-body which marked A1、 A2、 A3、 A4 using the shackle, the other end of the steel cable should cover with the crane. Ensure the scale-body in level when lifting. The degree of angle of the steel cable should not less than 45° .

4.2 Lift the scale-body above the foundation slowly, put $\delta 25 \sim \delta 30\text{mm}$ thicken wood plate between the scale-body and the walls of the foundation pit to guarantee the scale-body into center place. Then put the load cell's steel ball and base-plate of ball-bowl on the foundation plate. Position scale-body into the foundation .See the following figure:



4.3 Install the second-section scale-body which marked A5、 A6、 A7、 A8, ensure the marking A5、 A6 of the second-section scale-body should be corresponding with the marking A3、 A4 of the first-section scale-body. Place this scale-body into foundation pit slowly and attention to the position of the joint. make sure the joint hole of joint should be corresponding with the connect forelock of the first section scale-body. attention to adjusting the clearance about 5 ~ 6mm between the two sections of scale-bodies. The clearance around the scale-body is roundly the same. See the following figure:



4.4 Lift and install the third-section scale-body(which marked A9、 A10、 A11、 A12), ensure the

marking A9、 A 10 of the third-section scale-body should be corresponding with the marking A7、 A8 of the second-section scale-body. The installation step the same as the first and second section scale-body.

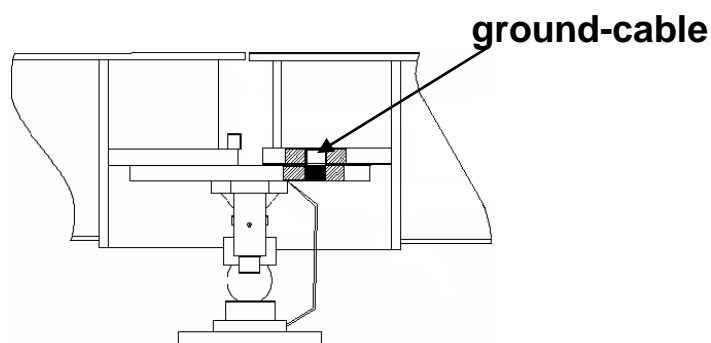
5. Adjust the scale-body after placing is finished.

5.1. Check the eight steel-ball of load cell, If the steel-ball can be rotated, jack the scale-body up in that position with the jack and put the level-adjusting plate under the installation plate for load cell to make sure the steel-ball can't be rotated.

5.2. Adjust the M30x85 common limit bolts of the scale-body. (Rotate the bolt, it is better that there is 5mm between the front-end of the bolt and the surface of scale-body, then rotate the nut.) In order to avoid weighing accurate is not good from big rocking when the truck drives on the scale.

6. Pass out the signal cable from the passing-tube. Tie up the signal cable on the iron wire in the passing-tube when passing. Then pull the iron wire to achieve the goal of passing. Next join the signal cable to the junction box. (Attention to the marking on load cell and junction box should be consistent), then fix up the junction box onto the two side-cover plates.) Then fixup the junction box on the side cover-plate of the scale-body.

7. Fixup one end of the ground-cable onto the **connecting-plate** using M16 bolts, and fix up the other end of the ground-cable onto **ball-bowl base** under-press using M12 bolts to let the load cell short-connection, it will protects the load cell from damage by lightning when they are working.



8. Install the side-cover plate of the load cell: **fixup the the cover-plate of load cell on the scale-body with 24 sets of M10x25 stainless steel common bolts.** attention to the marking on the side-cover plate and the scale-body should be consistent.

9. Install the bracket: **fixup the bracket on the side of the scale-body with the 36 sets of M16x35 common bolts(each pair including 1 washer, 1 spring washer, zinc-galvanizing treatment)**

10. Pass out the signal cable from the PVC tube in foundation and join it into the pounds-room.

11. The installation is finished.